

USER MANUAL



Thank you for choosing Better Bathrooms.
Please read this manual before installing your product
and keep for future reference.

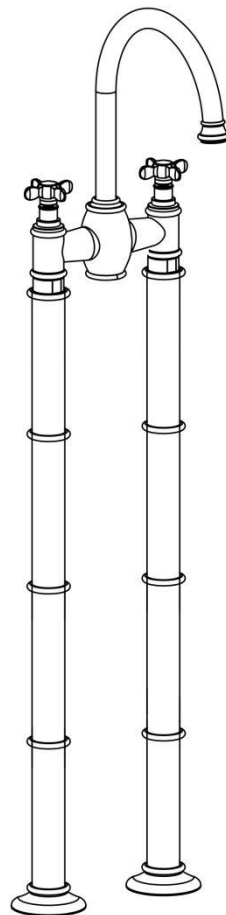
better 
bathrooms

Product

BeBa_25964 - Camden Floor-standing bath filler Chrome

BeBa_25969 - Camden Floor-standing bath filler Matt Black

BeBa_25974 - Camden Floor-standing bath filler Brushed Brass



- **Single-person assembly**
- **Tools required**
- **We always recommend using professional tradespeople to install your product**

V1_09/9/2021

Congratulations on your purchase

And welcome to our growing gang of savvy shoppers

We're on a mission to bring you extraordinary bathroom products, for less. From modern to traditional style ceramics, plus the gorgeous fixtures, fittings and furniture to match. So, you can fall in love with your space every single day.

As one of the UK's largest independent bathroom stores, we've received countless awards; including the National Business Awards UK, the Digital Entrepreneur Awards and being placed on The Sunday Times Fast Track 100.

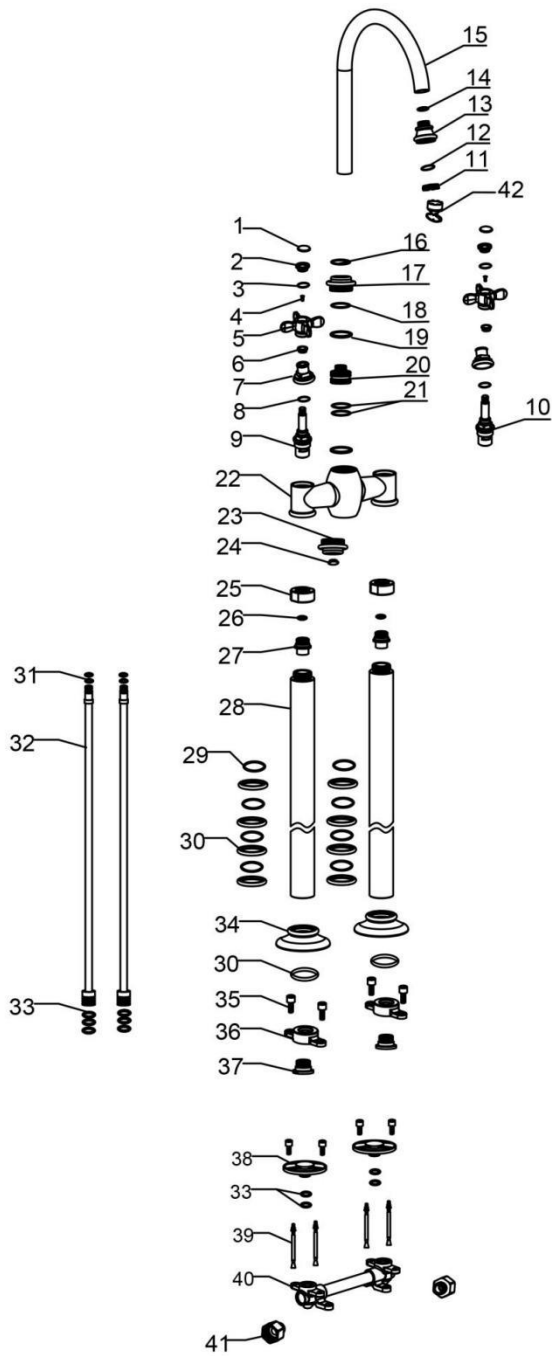
We hope your new product goes above and beyond your expectations. However, should any problems occur, please:

- log in to your account and contact our customer services team via your self-serve portal – betterbathrooms.com/Account/Login
- contact us via betterbathrooms.com/contact-us

Important information

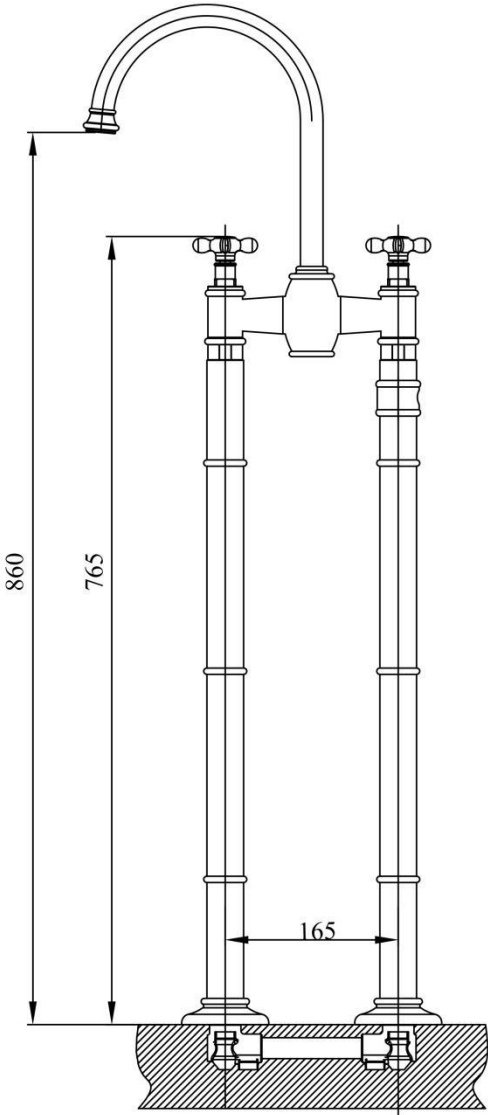
- Please read these instructions thoroughly and retain for future reference
- Installation must be carried out in compliance with The Water Fittings Regulations and Scottish Water Byelaws.
- The system must be flushed prior to installation
- Minimum and Maximum working pressure : 0.5 - 5 bar
- Pressures must be equal for optimum performance
- Please do not connect hot and cold water supply lines in reverse. This could result in hot water flowing from cold line and cause scalding.
- The feed-water temperature of water shall not exceed 85° C.
Exceeding 85° may cause scalding, the service life of faucets might be shortened, or the faucet might be damaged.
- After installation, please make sure the faucet is securely mounted and checked for leaks.

Parts / Diagrams



No	Part Description	No	Part Description
1	Ceramic cap	22	Body
2	Cover	23	Cover
3	O-ring	24	Cap
4	Screw	25	G3/4 fixing nut
5	Cross handle	26	O-ring
6	Plastic ring	27	Connector
7	Dome	28	Standing pipe
8	O-ring	29	O-ring
9	Headwork hot supply	30	Decorative ring
10	Headwork cold supply	31	O-ring
11	Aerator	32	Inlet pipe
12	O-ring	33	O-ring
13	Housing	34	Flange
14	O-ring	35	Bolt
15	Spout	36	Locknut
16	O-ring	37	Connector
17	Locknut	38	Cover template
18	O-ring	39	Floor screw set
19	Plastic ring	40	Body
20	Adaptor	41	G3/4 connector
21	O-ring	42	Aerator key

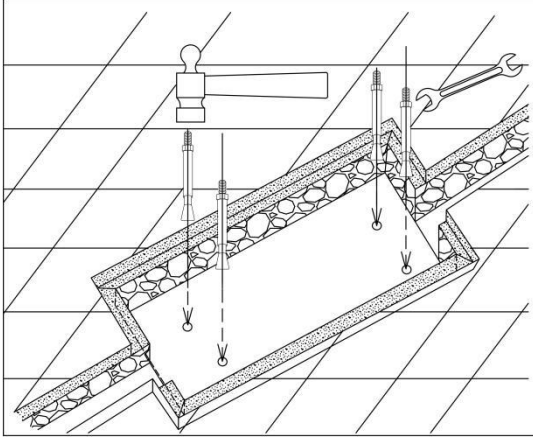
Dimensions



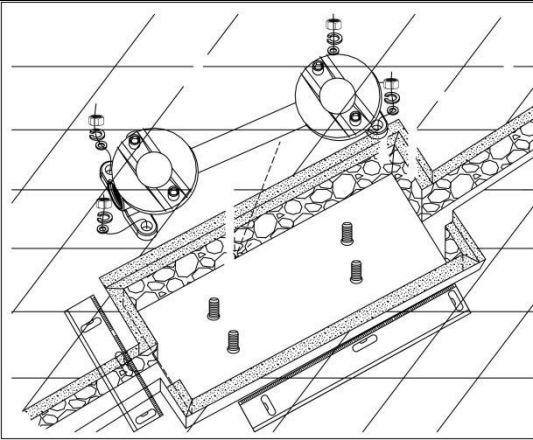
Tools required

- Spanner
- Drill and bit
- Hammer

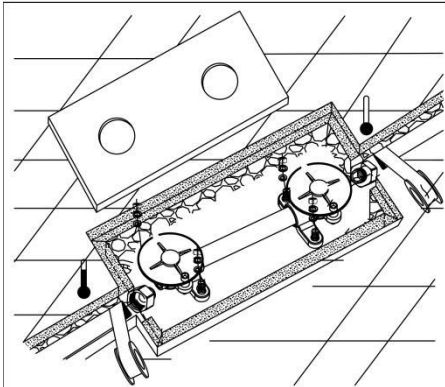
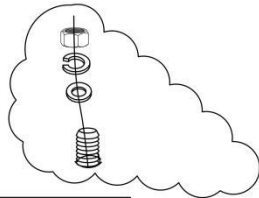
Installation

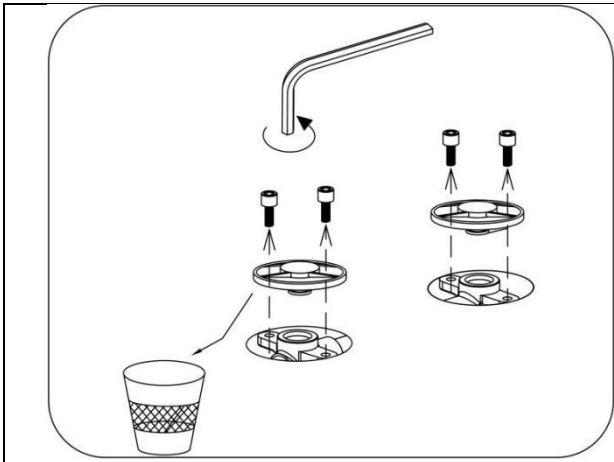


Mark out the fixing positions on the flooring basing on the body and drill four holes. Fix the floor screws into the holes.

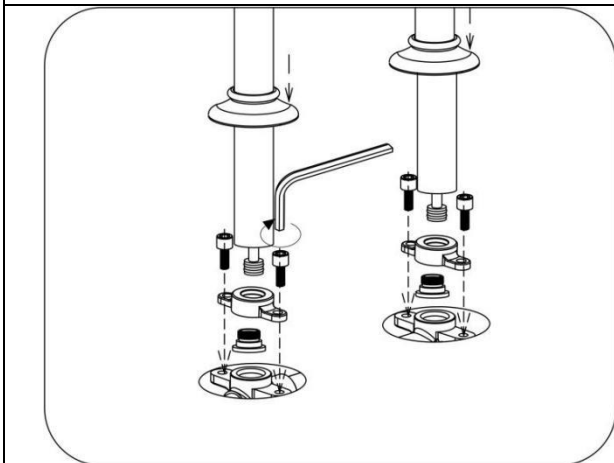


Fix the G3/4 connectors to inlets of the body. Push the body over floor screws and fasten with steel gasket and nut. Connect the body with hot (Left) and cold (right) water pipes using thread seal tape.



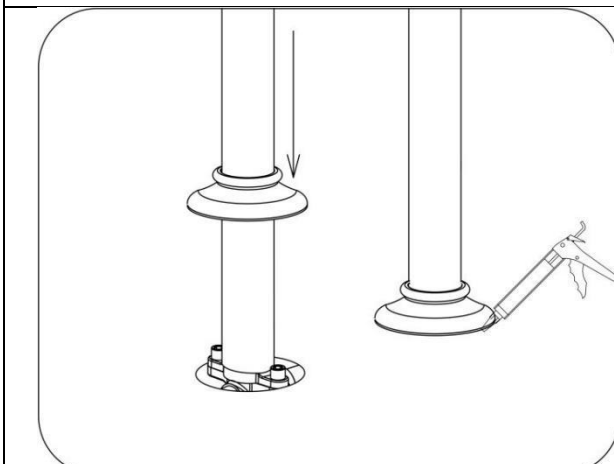


Remove the screws on the cover template with allen key, and take out the cover template.



Thrust the connectors vertically into the two inlet holes of the body.

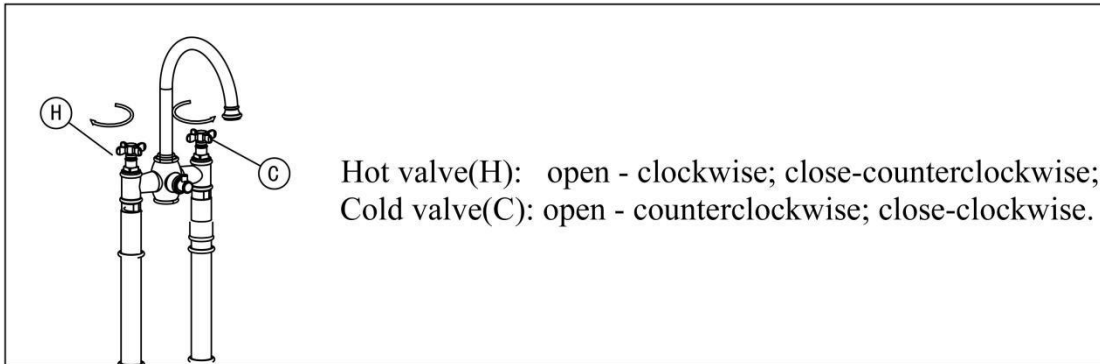
Press the locknut onto the body. Fix and fasten the screws with allen key.



Slide down the bases until it reaches the floor. Waterproof adhesive is recommended to be applied.

Turn on water supply and check for leaks.


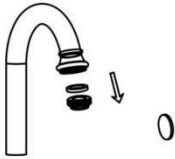
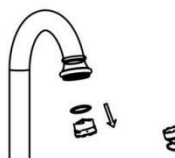
Operation



Troubleshooting

Issues	Inspection Item
Poor water flow	<ul style="list-style-type: none">• Is there blockage within the filter mesh on aerator• Was the system flushed prior to installation• Is the mixer cartridge free from debris
Water leak	<ul style="list-style-type: none">• Is there damage or dirt within the O-rings of the cartridge• Is there damage or dirt with the rubber washers in the of aerator• Is the locknut on top of cartridge fully tightened
Handle loose	<ul style="list-style-type: none">• Is the screw inside the handle fully tightened• Is the locknut on top of cartridge fully tightened
Body loose	<ul style="list-style-type: none">• Is the floor-mounting kit underneath fully tightened

Maintenance

	<p>REPLACEMENT OF CARTRIDGE</p> <p>Turn off the valves to release pressure of waterpipe. Unscrew the ceramic cap(1) and remove the screw(2) with a screwdriver. Take out the handle(3) and plastic ring(4). Then disassemble the dome(5)(use tool if needed). Take out the cartridge upward vertically. Assemble a new cartridge by reverse steps.</p>
Type 1: Coin Slot Aerator	<p>CLEANING OF AERATOR</p> <p>To avoid the dust and impurities from construction that might influence water flow, it is suggested to clean the aerator on a regular basis. Disassemble aerator as per graphic on the left and install the aerator by reverse steps.</p>
	
Type 2: Hidden Aerator with Aerator Key	
	

Cleaning

To maintain the surface of your product, wipe with a clean damp cloth and wipe dry, do not use any abrasive cleaning agents or materials. If any harsh chemicals come into contact with the surface of the product, rinse and wipe clean immediately.

For more information

- visit betterbathrooms.com
- email customerservices@buyitdirect.co.uk
- call 03303903062
- write to Trident Business Park, Neptune Way, Huddersfield, HD2 1UA

better 
bathrooms

Part of the BuyItDirect Group